

KINSHOFER

Greiftechnik

CRA-KIN-E-EUR-0104-OV-mP

KM 414 Pallet Fork Manual shifting & tines with lock pin adjustment

The robust pallet fork KM 414 with manual centre of gravity compensation is an economic alternative.

- Manual change of position of shifting collar by the operator.
- Connection plate for KINSHOFER flange rotator, KINSHOFER shaft rotator or for a crane hook are included in the package.
- Throat height adjustable in steps from 1000 mm to 1600 mm with a lock pin.
- Tine spread adjustable in steps from 310 mm to 930 mm with a lock pin.



Pallet Fork KM 414

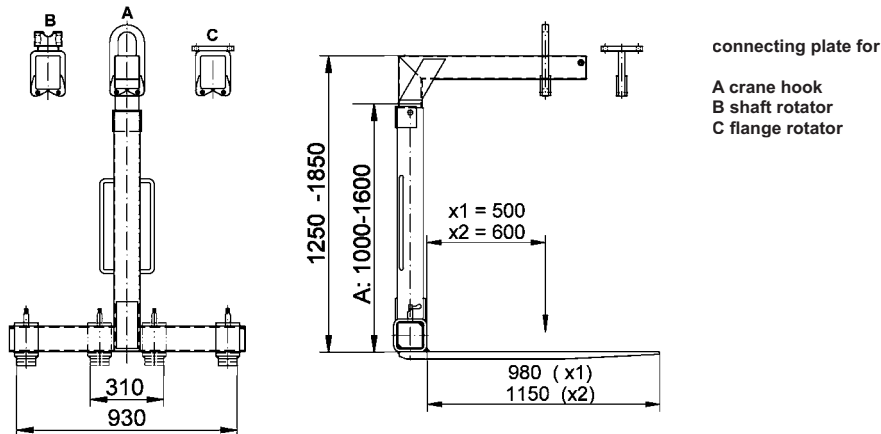
Type	Load capacity (kg)	Throat height A (mm)	Tine length (mm)	Tine spread (mm)	Tine dimensions (width x height) (mm)	Centre of gravity (mm)	Self weight (kg)
KM 414-1250-500	1500	1000 – 1600	980	310 – 930	80 x 35	500	100
KM 414-1500-500	1500	1000 – 1600	980	310 – 930	80 x 35	500	120
KM 414-2000-500	2000	1000 – 1600	980	310 – 930	100 x 35	500	130
KM 414-2500-500	2500	1000 – 1600	980	310 – 930	90 x 40	500	170
KM 414-3000-500	3000	1000 – 1600	980	310 – 930	120 x 50	500	200
KM 414-1250-600	2000	1000 – 1600	1150	310 – 930	80 x 35	600	120
KM 414-1500-600	1500	1000 – 1600	1150	310 – 930	100 x 35	600	150
KM 414-2000-600	2000	1000 – 1600	1150	310 – 930	90 x 40	600	180
KM 414-2500-600	2500	1000 – 1600	1150	310 – 930	120 x 50	600	235
KM 414-3000-600	3000	1000 – 1600	1150	310 – 930	130 x 50	600	265

Please note: For safer handling of loads in higher elevation a protection trellis or protection chain should be used.

Accessories

Type	Description
KM 460	protection trellis for loads up to 2000 kg - dimensions: 1100x1100x1500mm
KM 460	protection trellis for loads up to 2000 kg - dimensions: 1300x1300x1500mm
KM 460 01	protection chain for loads up to 2000 kg, for securing e.g. shrink wrapped stones
KM 04 F	KINSHOFER flange rotator for precise positioning of the load - up to 4500 kg load capacity
KM 04 S	KINSHOFER shaft rotator for precise positioning of the load - up to 4500 kg load capacity
KM 505	quick change system for shaft-type rotators
KM 502	reduction link between rotator and grapple
KM 460 03	rigid suspension link with pin for rotator KM 04 S
KM 460 04	non rotating hook for rotator KM 04 S

Technical Drawings



<MJ5 'Dc`g_U'Gd"n'c"b"
 i`"A mg]k g_U*,
 '\$!+%`?fU_ck`

HY": '\$%&*)' '&+' %
 : U : '\$%&*)', '((' -
 9!a U]. 'cZ]W4 \ mj U'Wta 'd'
 -bHfYbYh'k k k '\ nj U'Wta 'd'

