

KINSHOFER

Greiftechnik

CRA-KIN-E-EUR-0104-OV-mp

KM 415 Pallet Fork Self shifting & tines with lock pin adjustment

The robust pallet fork KM 415 with spring loaded centre of gravity compensation can easily be adapted to different loads with adjustable plunge depth and adjustable tine spread.

- **Efficient handling** of many different kinds of loads in an economic, one-man operation is possible due to the automatic shifting of the KM 415 to a preset position. Compression springs return slide to initial position.
- **Throat height adjustable in steps** from 1000 mm to 1600 mm with a lock pin.
- **Tine spread adjustable in steps** from 310 mm to 930 mm with a lock pin.



Pallet Fork KM 415

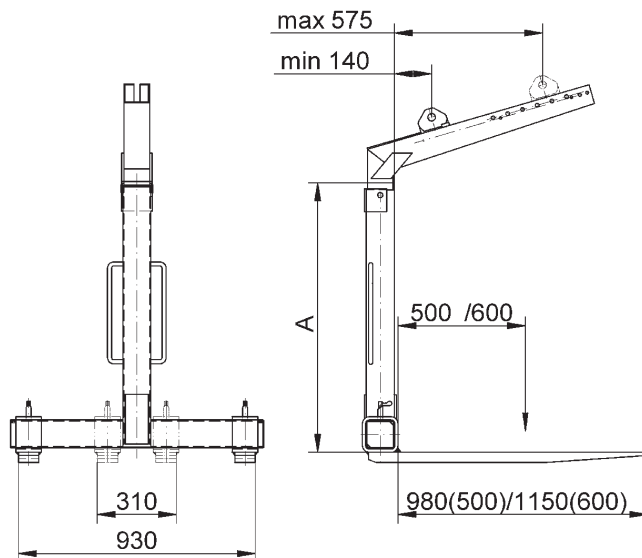
Type	Load capacity (kg)	Throat height A (mm)	Tine length (mm)	Tine spread (mm)	Tine dimensions (width x height) (mm)	Centre of gravity (mm)	Self weight (kg)
KM 415-1500-500	1500	1000 – 1600	980	310 – 930	80 x 35	500	145
KM 415-2000-500	2000	1000 – 1600	980	310 – 930	100 x 35	500	150
KM 415-2500-500	2500	1000 – 1600	980	310 – 930	90 x 40	500	170
KM 415-3000-500	3000	1000 – 1600	980	310 – 930	120 x 50	500	205
KM 415-1500-600	1500	1000 – 1600	1150	310 – 930	100 x 35	600	170
KM 415-2000-600	2000	1000 – 1600	1150	310 – 930	90 x 40	600	180
KM 415-2500-600	2500	1000 – 1600	1150	310 – 930	120 x 50	600	185
KM 415-3000-600	3000	1000 – 1600	1150	310 – 930	130 x 50	600	220

- Please note:**
- For safer handling of loads in higher elevation a protection trellis or protection chain should be used.
 - Automatic compensation of centre of gravity functions with a min. pack weight of approx. 250 to 500 kg.

Accessories

Type	Description
KM 460	protection trellis for loads up to 2000 kg - dimensions: 1100x1100x1500mm
KM 460	protection trellis for loads up to 2000 kg - dimensions: 1300x1300x1500mm
KM 460 01	protection chain for loads up to 2000 kg, for securing e.g. shrink wrapped stones
KM 04 S	KINSHOFER shaft rotator - up to 4500 kg load capacity
KM 460 03	rigid suspension link with pin for rotator KM 04 S
KM 460 04	non rotating hook for rotator KM 04 S

Technical Drawings



<MJ5'Dc`g_UGd"n'c"t"
i`"Ang]k g_U*,
'\$!+%`?fU_ck`

HY":.\$%&*)' '&+' %
: U ..\$%&*), '((' -
9!a Uj. 'cZ\W4 \ mj UWta 'd'
-hYfbYh 'k k k '\ mj UWta 'd''

