

FLOOR PROFILE TYPE 2

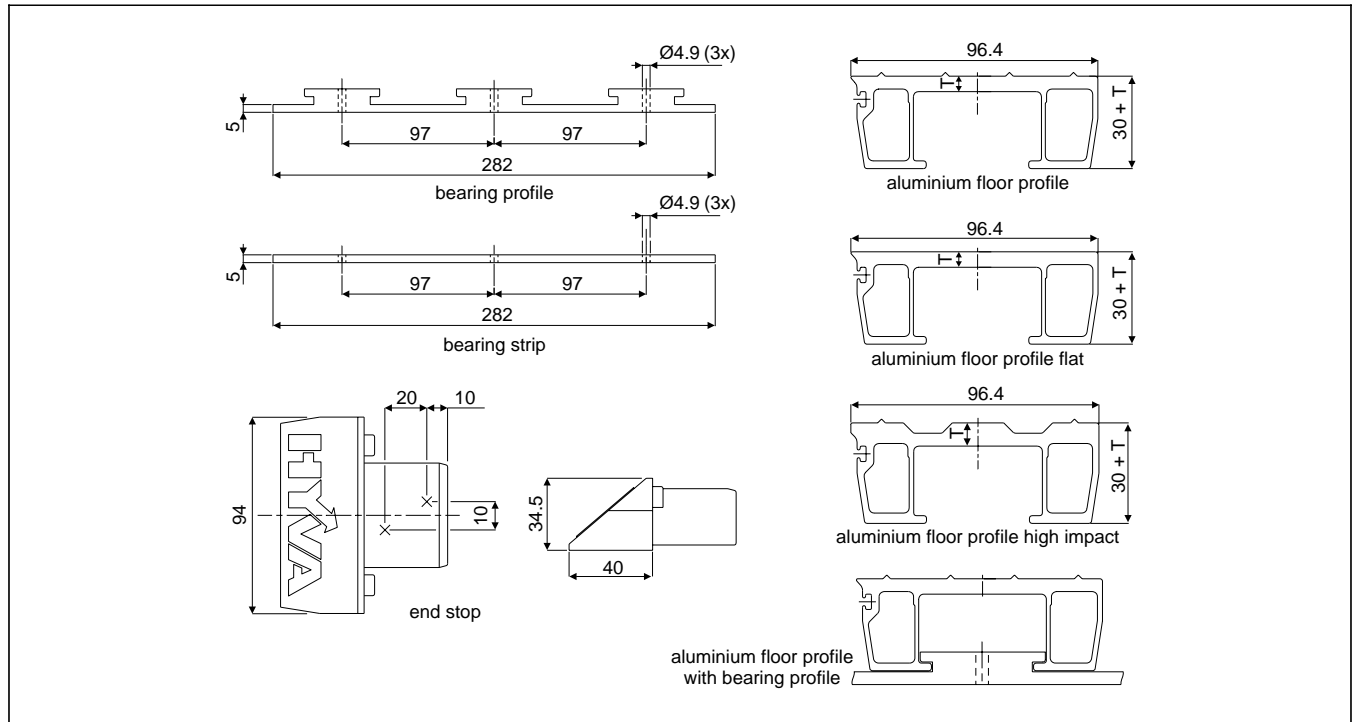
FOR THE HYVA FLOOR

Hyva

type :

floor profile type 2

page # 1 / 1



aluminium floor profile

- | | | |
|---|-------------------|--------------------------|
| 1 | thickness (T) | : 5.0 mm |
| | weight | : 2.20 kg/m |
| | concentrated load | : 838 kg/floor profile* |
| 2 | thickness (T) | : 6.0 mm |
| | weight | : 2.46 kg/m |
| | concentrated load | : 874 kg/floor profile* |
| 3 | thickness (T) | : 9.0 mm |
| | weight | : 3.48 kg/m |
| | concentrated load | : 1263 kg/floor profile* |

aluminium floor profile flat

- | | | |
|---|-------------------|-------------------------|
| 1 | thickness (T) | : 6.0 mm |
| | weight | : 2.44 kg/m |
| | concentrated load | : 870 kg/floor profile* |

aluminium floor profile high impact

- | | | |
|---|-------------------|--------------------------|
| 1 | thickness (T) | : 9.0 mm |
| | weight | : 3.08 kg/m |
| | concentrated load | : 1101 kg/floor profile* |

* max permitted concentrated load related on 600 mm cross member distance

bearing strip

- | | |
|-------------|--------------|
| part number | : 896 00 012 |
| weight | : 65 gram |

bearing profile

- | | |
|-------------|--------------|
| part number | : 896 00 011 |
| weight | : 125 gram |

profile end cap

- | | |
|-------------|--------------|
| part number | : 896 00 030 |
| weight | : 110 gram |

seal

- | | | |
|---|-------------|--------------|
| 1 | length | : 175 m |
| | weight | : 9.6 kg |
| | part number | : 891 50 008 |
| 2 | length | : 350 m |
| | weight | : 19.2 kg |
| | part number | : 891 50 007 |

pop rivets

- | | |
|---------------------|------------------------------|
| for seal | : 4.8x6.0 mm alu |
| for bearing strip | : 4.8x16.0 mm** alu or steel |
| for bearing profile | : 4.8x25.0 mm** alu or steel |

** based on 5 mm thick cross member